

Tiandy  SICE

PROMOZIONE



Scopri le **OFFERTE**
di **MEZZA STAGIONE**
del mondo della
Videosorveglianza
TIANDY

OFFERTA VALIDA FINO AL 31 MAGGIO 2018

WWW.TIANDY.NET

TC-NC210-13E 4839005

2MP IR Dome Camera

OFFERTA VALIDA
FINO AL 31 MAGGIO 2018

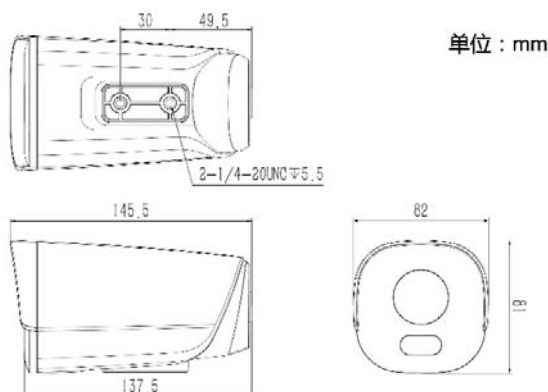
PREZZO NETTO €39,53



Features

- Up to 1920X1080@15fps
- H.264/M-JPEG Codec
- Min. Illumination Color: 0.02 Lux, B/W: 0.05Lux, 0 Lux with IR
- Smart IR, IR Range: 20-30m
- Operating Conditions -30°C ~ 60°C (IR OFF) / -35°C ~ 40°C (IR ON), 0~95% RHG
- IP66

Dimensions



Camera

Image Sensor	1/2.7" CMOS
Core Processor	ARM9 Architecture
Operating System	Embedded Linux
Signal System	PAL/NTSC
Min. Illumination	Color: 0.02Lux B/W: 0.01Lux
Shutter Time	1s to 1/100,000s
Lens	4mm
Auto Iris	N/A
Wide Dynamic Range	Y
Digital Noise Reduction	3D DNR

Compression Standard

Video Compression	H.264/M-JPEG
Video Bit Rate	32Kbps~8Mbps

Image

Max. Image Resolution	1920x1080
Frame Rate	PAL:1080p@15fps; NTSC:1080P@15FPS
couple Stream	Mainstream:1080P(1920*1080) Substream:D1(704*576)
Image Settings	Brightness, Saturation, Contrast, Flip Mode Adjustable by Client Software or Web Browser
HLC	Y
Smart Defog	Y
OSD	16×16, 32×32, 24×24, 48×48, 64×64, 96×96 Size Letters Such as Week, Date, Time, Total 1 Regions

Network

Browser	built-in web server
NTP	Y
Alarm Trigger	Motion Detection/IP Conflict/MAC Conflict/Port Alarm/Mask Alarm
Protocols	TCP/UDP/HTTP/MULTICAST/UPnP/DHCP/DDNS/FTP/NTP/RTSP/SMTP
User Permission	4 Level/8 Users
System Compatibility	ONVIF (Profile S)

Interface

Audio Input	N/A
Audio Output	N/A
Communication Interface	1-ch RJ45 10M / 100M Ethernet Interface
Alarm Input	N/A
Alarm Output	N/A
Video Output	N/A

General

Language	English, Simplified Chinese
Operating Conditions	-30°C ~ 60°C, 0~95% RHG
Power Supply	DC 12 V ± 20%, POE
Power Consumption	Max. 3.5W (IR OFF) (ICR Instant Switch 5.5W)
Impact Protection	IP66
IR Range	20m
Dimensions	145.5mm (length) × 82mm (width) × 81mm (height)
Weight	0.5KG

* The latest product information / specification can be found at <http://en.tiandy.com/>



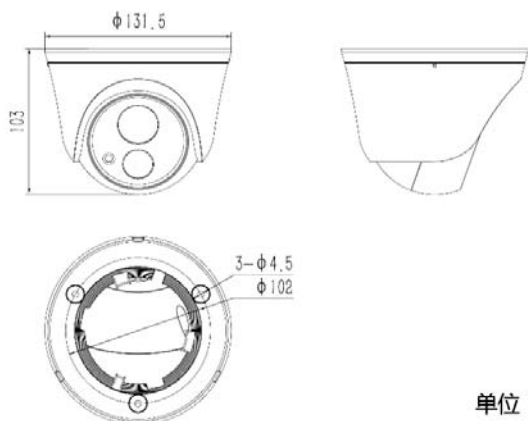
PREZZO NETTO €39,53



Features

- Up to 1920X1080@15fps
- H.264/M-JPEG Codec
- Min. Illumination Color: 0.02 Lux, B/W: 0.05Lux, 0 Lux with IR
- Smart IR, IR Range: 20-30m
- Operating Conditions -30°C ~ 60°C (IR OFF) / -35°C ~ 40°C (IR ON), 0~95% RHG
- IP66

Dimensions



单位 : mm

Camera	
Image Sensor	1/2.7" CMOS
Core Processor	ARM9 Architecture
Operating System	Embedded Linux
Signal System	PAL/NTSC
Min. Illumination	Color: 0.02Lux B/W: 0.01Lux
Shutter Time	1s to 1/100,000s
Lens	2.8mm
Auto Iris	N/A
Wide Dynamic Range	Y
Digital Noise Reduction	3D DNR
Compression Standard	
Video Compression	H.264/M-JPEG
Video Bit Rate	32Kbps~8Mbps
Image	
Max. Image Resolution	1920x1080
Frame Rate	PAL:1080p@15fps; NTSC:1080P@15FPS
couple Stream	Mainstream:1080P(1920*1080) Substream:D1(704*576)
Image Settings	Brightness, Saturation, Contrast, Flip Mode Adjustable by Client Software or Web Browser
HLC	Y
Smart Defog	Y
OSD	16×16, 32×32, 24×24, 48×48, 64×64, 96×96 Size Letters Such as Week, Date, Time, Total 1 Regions
Network	
Browser	built-in web server
NTP	Y
Alarm Trigger	Motion Detection/IP Conflict/MAC Conflict/Port Alarm/Mask Alarm
Protocols	TCP/UDP/HTTP/MULTICAST/UPnP/DHCP/DDNS/FTP/NTP/RTSP/SMTP
User Permission	4 Level/8 Users
System Compatibility	ONVIF (Profile S)
Interface	
Audio Input	N/A
Audio Output	N/A
Communication Interface	1-ch RJ45 10M / 100M Ethernet Interface
Alarm Input	N/A
Alarm Output	N/A
Video Output	N/A
General	
Language	English, Simplified Chinese
Operating Conditions	-30°C ~ 60°C, 0~95% RHG
Power Supply	DC 12 V ± 20%, POE
Power Consumption	Max. 3.5W(IR OFF) (ICR Instant Switch 5.5W)
Impact Protection	IP66
IR Range	20m
Dimensions	131.5mm(diameter)*103(height)
Weight	0.5KG

* The latest product information / specification can be found at <http://en.tiandy.com/>



4CH 1HDD NVR

TC-NR4004M7-S1 4839070

OFFERTA VALIDA
FINO AL 31 MAGGIO 2018

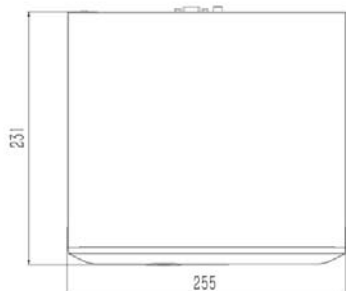
PREZZO NETTO €44,39



Features

- S+265 Compression
- Support Up to 1080P Resolution Recording
- HDMI, VGA Output Up to 1920X1080 Resolution
- HDD Quota and Group Management
- Support 4-ch Intelligent Analysis Process
- Smart Recording, Plug&Play
- 1 SATA(Up to 4TB), 2 USB, 1 RJ45(10M/100M)
- CE, FCC

Dimensions



Video/Audio Input	
IP Video Input	4-ch
Audio Input	N/A
Video/Audio Output	
CVBS Output	N/A
HDMI Output	1-ch Resolution: 1920x1080, 1280x720, 1440x900, 1366x768, 1280x800, 1024x768, 800x600
VGA Output	1ch Resolution: 1920x1080, 1280x720, 1440x900, 1366x768, 1280x800, 1024x768, 800x600, Adjustable Output Mode; Self-adaptive Resolution
Frame Rate	Mainstream 25fps(P)/30fps(N); Substream 25fps(P)/30fps(N)
I-Frame Record	Y
Recording	1080P/UXGA/720P/VGA/4CIF/DCIF/2CIF/CIF/QCIF
Audio Output	N/A
Synchronous	2-ch 1080P/4-ch 720P Sync Playback
Decoding	
Live View/Playback	1080P/UXGA/720P/VGA/4CIF/DCIF/2CIF/CIF/QCIF
Capability	2-ch 1080P/4-ch 720P/4CIF
Display Split	1/4
E-Zoom	Y
Network	
Bandwidth	50Mbps
Remote Connection	16 Users, Up to 48ch Videos
Browser	IE8,IE9,IE10,IE11,Chrome30,Firefox24
Mobile Software	P2P&DDNS for IOS&Android (Tiandy: Easylive, Neutral: Mobilelive)
Internet Protocol	TCP/UDP/HTTP/MULTICAST/UPnP/DHCP/DDNS/NFS/NTP/HTTPS/RTSP/SADP
Email	N/A
Hard Disk	
SATA	1 SATA (up to 4TB)
NTFS Files System	Y
HDD Management	Group and Quota
External Interface	
HDMI Output	1ch
VGA Output	1ch
Network Interface	1 RJ-45 10/100Mbps Self-adaptive Ethernet Interfaces
Serial Interface	N/A
USB Interface	2 x USB2.0
Alarm In	N/A
Alarm Out	N/A
Advanced	
NAS	NFS Protocol, Support Manual Backup Only
Plug and Play	Y, Only for Tiandy Cameras
Corridor Mode	Y, 16:9 to 9:16, Only for Tiandy Cameras
Video Analytics(VCA)	4-ch Tiandy Camera VCA Process (Tripwire and Perimeter)
Smart Search	N/A
Trigger Recording	Manual/Timing/Motion Detection/Port Alarm/ VCA Alarm/Video Occlusion
Smart Recording	Set Recording Bit Rate for Different Time
Alarm Recording	Pre Alarm Default 10s (5/10/15/60s Optional) , Post Alarm Default 10s (10/15/30/60/600s Optional)
Onvif	Onvif(Profile S)
General	
Language	English , Chinese
Power Supply	DC12V/2A
Consumption(without HDD)	≤10W
Working	-10 °C ~ +55 °C (+14 °F~ + 131 °F)
Working Humidity	10 % ~ 90 %
Chassis	1U
Dimensions	44mmx255mmx231mm
Weight	0.9KG(without HDD), 1.7KG(with Packing Box)
S+265:	Tiandy enhanced H.265 codec
ANR:	Auto store video in SD card when NVR disconnected, and upload video to NVR when resumed connection(Only Support Tiandy ANR NVR)
Smart Search:	Greatly improve search speed for recorded video via VCA function

* The latest product information / specification can be found at <http://en.tiandy.com/>



4CH 1HDD 4POE NVR

TC-NR4004M7-P1 4839080

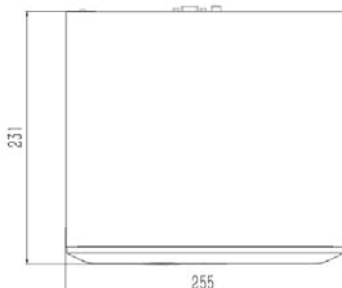
PREZZO NETTO €81,50



Features

- Plug&Play with up to 4 Independent POE Network Interfaces
- Support 4-ch Intelligent Analysis Process
- Smart Search&Recording
- 1 SATA(Up to 8TB), Alarm I/O 0/1, Audio I/O 1/1, 2 USB
- CE, FCC
- 4-ch PSE interface

Dimensions



Video/Audio Input	
Incoming Bandwidth	40Mbps
IP Video Input	4-ch
Two-way Audio Input	1-ch, AUX3.5mm
Video/Audio Output	
Outgoing Bandwidth	40Mbps
HDMI	1-ch, Resolution 1920*1080P/60Hz, 1920*1080P/50Hz, 1280*800/60Hz, 1440*900/60Hz, 1366*768/60Hz, 1280*720/60Hz, 1280*720/50Hz, 1024*768/60Hz, 800*600/60Hz
VGA	1-ch, Resolution 1920*1080P/60Hz, 1920*1080P/50Hz, 1280*800/60Hz, 1440*900/60Hz, 1366*768/60Hz, 1280*720/60Hz, 1280*720/50Hz, 1024*768/60Hz, 800*600/60Hz
Frame Rate	Mainstream 25fps(P)/30fps(N); Substream 25fps(P)/30fps(N)
I-Frame Record	Y
Recording Resolution	6MP(2752*2208,3008*2008,2408*2008)/5MP(2448*2048,2560*1920,2592*1944,2592*1920,2528*2128)/4MP(2560*1440,2592*1520)/3MP(2048*1536)/1080P/UXGA/720P/VGA/4CIF/DCIF/2CIF/CIF/QCIF
Audio Output	1-ch, RCA (Linear, 1kΩ)
Synchronous	4-ch1080P/720P
Decoding	
Live View/Playback	6MP(2752*2208,3008*2008,2408*2008)/5MP(2448*2048,2560*1920,2592*1944,2592*1920,2528*2128)/4MP(2560*1440,2592*1520)/3MP(2048*1536)/1080P/UXGA/720P/VGA/4CIF/DCIF/2CIF/CIF/QCIF
Capability	1-ch 6MP/5MP/4MP/3MP/4-ch1080P/720P
Display Split	1/4
Network	
Remote Connection	16 Users, Up to 48ch Videos
Browser	CHROME V45 or lower, IE, FIREFOX
Mobile Software	P2P&DDNS for IOS&Android (Name: EasyLive)
Protocol	IPV4/IPV6/HTTP/802.1x/FTP/SMTP/UPnP/SNMP
Email	Activated by Alarm
ANR	Y, Auto download video from camera SD card, Which was stored when disconnection (Only Support Tiandy ANR IP Camera)
Advanced	Remaining Bandwidth Display
Hard Disk	
SATA	1 SATA for 1 HDD
Capacity	Up to 8TB Capacity for Each HDD
NTFS Files System	Y
HDD Management	Group and Quota
External Interface	
HDMI Output	1ch
VGA Output	1ch
Two-way Audio	1ch 3.5mm
Audio Output	1ch RCA
Network Interface	1 RJ-45 100/1000 Self-adaptive Ethernet Interfaces
USB Interface	1 x USB2.0, 1 x USB3.0
Alarm In	N/A
Alarm Out	1-ch
POE	
Interface	4 Independent 100 Mbps PoE Network Interfaces
Max Power	45W(50W Optional), Max to 30W for Each Port
Supported Standard	AF and AT
Advanced	
NAS	NFS Protocol, Support Manual Backup Only
Plug and Play	Y, Only for Tiandy Cameras
Corridor Mode	Y, 16:9 to 9:16, Only for Tiandy Cameras
VCA	4-ch Tiandy Camera VCA Process (Tripwire and Perimeter)
Smart Search	Quickly Search Target VCA Videos , Only for Tiandy Cameras
Trigger Recording	Manual/Timing/Motion Detection/Port Alarm/ VCA Alarm/Video Occlusion
Smart Recording	Set Recording Bit Rate for Different Time
Alarm Recording	Pre Alarm Default 10s (5/10/15/60s Optional), Post Alarm Default 10s (10/15/30/60/600s Optional).
Onvif	Onvif(Profile S)
General	
Language	English,Spanish,Korean,Italian,Turkish,Thai,Russian Polish,French,Traditional Chinese,Simplified Chinese
Power Supply	DC48V
Consumption(without HDD and POE)	<20W(Hard Disk is not included)
Working	-10 °C ~ +55 °C (+14 °F~ + 131 °F)
Working Humidity	10 % ~ 90 %
Chassis	1U
Dimensions	255mmx231mmx44mm
Weight	1KG (without HDD), 2.6KG (with Packing Box)
ANR	Auto store video in SD card when NVR disconnected, and upload video to NVR when resumed connection(Only Support Tiandy ANR NVR)
Smart Search:	Greatly improve search speed for recorded video via VCA function

* The latest product information / specification can be found at <http://en.tiandy.com/>



Tiandy Digital Technology Co., Ltd. | en.tiandy.com
 Add: No.8, Huake Rd2, Binhai Hi-Tech Industry(Huayuan), Tianjin 300384 China
 Tel: +86-22-58596037 Email: sales@tiandy.com



OFFERTA VALIDA
 FINO AL 31 MAGGIO 2018

8CH 2HDD 8POE NVR TC-NR4008M7-P2 4839178

OFFERTA VALIDA
FINO AL 31 MAGGIO 2018

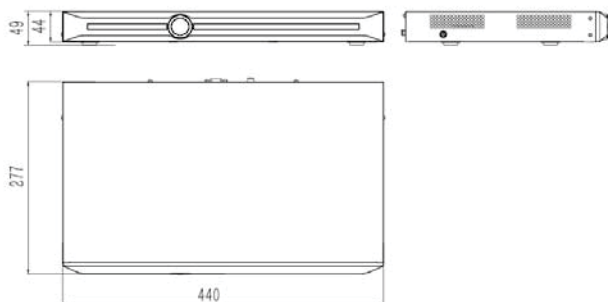
PREZZO NETTO €135,64



Features

- 8-ch 1080P/720P IP Camera Input
- 6-ch 1080P/ 8-ch 720P Realtime Display
- 6-ch 1080P/8-ch 720P sync Playback
- Up to 6 MP Resolution Recording
- Plug&Play with up to 8 Independent POE Network Interfaces
- Support 8-ch Intelligent Analysis Process
- Smart Search&Recording
- 2 SATA(Up to 16TB), Alarm I/O 0/1, Audio I/O 1/1, 2 USB
- CE, FCC
- 8-ch PSE interface

Dimensions



Video/Audio Input	
Incoming Bandwidth	80Mbps
IP Video	8-ch
Audio	1-ch, AUX3.5mm
Video/Audio Output	
Outgoing Bandwidth	80Mbps
HDMI	1-ch, Resolution 1920*1080P/60Hz, 1920*1080P/50Hz, 1280*800/60Hz, 1440*900/60Hz, 1366*768/60Hz, 1280*720/60Hz, 1280*720/50Hz, 1024*768/60Hz, 800*600/60Hz
VGA	1-ch, Resolution 1920*1080P/60Hz, 1920*1080P/50Hz, 1280*800/60Hz, 1440*900/60Hz, 1366*768/60Hz, 1280*720/60Hz, 1280*720/50Hz, 1024*768/60Hz, 800*600/60Hz
Frame Rate	Mainstream 25fps(P)/30fps(N); Substream 25fps(P)/30fps(N)
I-Frame Record	Y
Recording Resolution	6MP(2752*2208, 3008*2008, 2408*2008) /5MP(2448*2048, 2560*1920, 2592*1944, 2592*1920, 2528*2128) /4MP(2560*1440, 2592*1520)/QXGA(2560*2045)/3MP(2048*1536) /1080P/U/XGA/720P/VGA/4CIF/DCIF/2CIF/CIF/QCIF
Audio	1-ch, RCA (Linear, 1kΩ)
Synchronous	4-ch 3MP/6-ch 1080P/8-ch 720P/4CIF
Decoding	
Live View/Playback	6MP(2752*2208, 3008*2008, 2408*2008) /5MP(2448*2048, 2560*1920, 2592*1944, 2592*1920, 2528*2128) /4MP(2560*1440, 2592*1520)/QXGA(2560*2045)/3MP(2048*1536) /1080P/U/XGA/720P/VGA/4CIF/DCIF/2CIF/CIF/QCIF
Capability	1-ch 6MP/5MP/4MP/3MP/6-ch 1080P/8-ch 720P/8-ch 4CIF
Display Split	1/4/9
E-Zoom	Y
Network	
Remote Connection	16 Users, Up to 48ch Videos
Browser	CHROME V45 or lower, IE, FIREFOX
Mobile Software	P2P/DDNS/IP for IOS&Android (App Name: Easylive) TCP/UDP/HTTP/MULTICAST/UPnP/DHCP/PPPoE
Internet Protocol	/DDNS/NFS/FTP/NTP/HTTPS/RTSP/SMTP/SADP/SNMP/TCP-IP/IPFILTER/ALARMSEVER/IP SEARCH
Email	Activated by Alarm
ANR	Y
Advanced	Remaining Bandwidth Display
Hard Disk	
SATA	2 SATA for 2 HDDs
Capacity	Up to 8TB Capacity for Each HDD (Seagate recommended)
NTFS Files System	Y
HDD Management	Group and Quota
External Interface	
HDMI Output	1ch
VGA Output	1ch
Two-way Audio	1ch 3.5mm
Audio Output	1ch RCA
Network Interface	1 RJ-45 100/1000 Self-adaptive Ethernet Interfaces
USB Interface	1 x USB2.0, 1 x USB3.0
Alarm In	N/A
Alarm Out	1-ch
POE	
Interface	8 Independent 100 Mbps PoE Network Interfaces
Max Power	120W, max to 30W for Each Port
Supported Standard	AF and AT
Advanced	
NAS	NFS Protocol, Support Manual Backup Only
Plug and Play	Y, Only for Tiandy Cameras
Corridor	Y, 16:9 to 9:16, Only for Tiandy Cameras
Video Analytics(VCA)	8-ch Tiandy Camera VCA Process (Tripwire and Perimeter)
Smart Search	Y
Trigger Recording	Manual/Timing/Motion Detection/Port Alarm/ VCA Alarm/Video Mask
Smart Recording	Set Recording Bit Rate for Different Time
Alarm Recording	Pre Alarm Default 10s (5/10/15/60s Optional), Post Alarm Default 10s (10/15/30/60/600s Optional)
Onvif	Onvif(Profile S),SDK
General	
Language	English, Spanish, Korean, Italian, Turkish, Thai, Russian, Traditional Chinese, Simplified Chinese, French, Polish
Power Supply	100 ~ 240V AC, 50 ~ 60 Hz
Consumption	≤ 25W(without HDD)
Working	-10 °C ~ +55 °C (+14 °F ~ + 131 °F)
Working Humidity	10 % ~ 90 %
Chassis	1U
Dimensions	440mmx278mmx44mm
Weight	3KG (without HDD), 4.2KG (with Packing Box)
ANR:	Auto store video in SD card when NVR disconnected, and upload video to NVR when resumed connection(Only Support Tiandy ANR NVR)
Smart Search:	Greatly improve search speed for recorded video via VCA function

* The latest product information / specification can be found at <http://en.tiandy.com/>



16CH 2HDD 8POE NVR

TC-NR4016M7-P2 4839180

OFFERTA VALIDA
FINO AL 31 MAGGIO 2018

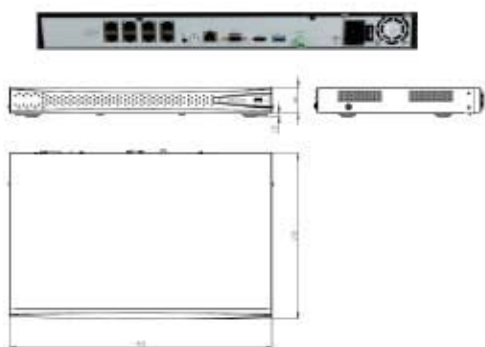
PREZZO NETTO €184,94



Features

- 16-ch 6MP/5MP/3MP/1080P/UXGA/720P/VGA/4CIF/D-CIF/2CIF/CIF/QCIF IP Camera Input
- 8-ch 1080P/16-ch 720P/16-ch 4CIF Realtime Display
- 16-ch Sub-stream 4CIF Realtime Display
- 8-ch 1080P/16-ch 720P/16-ch 4CIF Sync Playback
- Up to 6 MP Resolution Recording
- Bandwidth in/out 128Mbps/64Mbps
- Plug&Play with up to 8 Independent PoE Network Interfaces
- Support 16-ch Intelligent Analysis Process
- Smart Search&Recording
- 2 SATA(Up to 16TB), Alarm I/O 0/1, Audio I/O 1/1, 2 USB
- CE, FCC

Dimensions



Specification	
Video/Audio Input	
IP Video Input	16-ch
Audio Input	1-ch, AUX3.5mm
Network	
Incoming Bandwidth	128Mbps
Outgoing Bandwidth	64Mbps
Remote Connection	32 Users, Up to 48ch Videos
Browser	IE8,IE9,IE10,IE11,Firefox24
Mobile Software	P2P&DDNS for IOS&Android (Tiandy: Easylive, Neutral: Mobilelive)
Internet Protocol	TCP/UDP/HTTP/MULTICAST/UPnP/DHCP/PPPoE/DDNS/NFS/FTP/NTP/HTTPS/
Email	Activated by Alarm
ANR	Y, Auto download video from camera SD card, Which was stored when
Advanced	Remaining Bandwidth Display
Video/Audio Output	
HDMI Output	1-ch, Resolution 1920×1080, 1280×720,
VGA Output	1-ch, Resolution 1920×1080, 1280×720, 800×600,1024×768,
Frame Rate	Mainstream 25fps(P)/30fps(N) Substream
I-Frame Record	Y
Recording Resolution	6MP(2752*2208,3008*2008,2408*2008)/5MP(2448*2048,2560*1920,2592*1944,
Audio Output	1-ch, RCA (Linear, 1kΩ)
Synchronous Playback	4-ch 3MP/8-ch1080P/16-ch 720P/16-ch 4CIF
Decoding	
Live View/Playback	6MP(2752*2208,3008*2008,2408*2008)/5MP(2448*2048,2560*1920,2592*1944,
Capability	1-ch 6MP/5MP/4MP/4-ch 3MP/8-ch 1080P/16-ch 720P/16-ch 4CIF
Display Split	1/4/6/8/9/16
E-Zoom	Y
Hard Disk	
SATA	2 SATA for 2 HDDs
Capacity	Up to 8TB Capacity for Each HDD
NTFS Files System	Y
HDD Management	Group and Quota
External Interface	
Network Interface	1 RJ-45 100/1000 Self-adaptive Ethernet Interfaces
USB Interface	1 x USB2.0, 1 x USB3.0
Alarm In	N/A
Alarm Out	1-ch
POE	
Interface	8 Independent 100 Mbps PoE Network Interfaces
Max Power	120W, max to 30W for Each Port
Supported Standard	AF and AT
Advance	
NAS	NFS Protocol, Support Manual Backup Only
Plug and Play	Y, Only for Tiandy Cameras
Corridor Mode	Y, 16:9 to 9:16, Only for Tiandy Cameras
Video Analytics(VCA)	Support 16-ch Camera VCA Function,Including Tripwire/Double
Smart Search	Quickly Search Target IVA Videos, Only for Tiandy Cameras
Trigger Recording	Manual/Timing/Motion Detection/Alarm/Redundant Backup/Holiday/I-frame Storage
Smart Recording	Set Recording Bite Rate for Different Time
Records Format	SDV, Export MP4 in H.264 Format
Onvif	Onvif(Profile S)
General	
Language	English, Spanish, Korean, Italian,Turkish,Thai, Russian, Traditional Chinese,
Power Supply	100 ~ 240V AC, 50 ~ 60 Hz
Consumption(without	≤ 25W(without HDD)
Working Temperature	-10 °C ~ +55 °C (+14 °F~ + 131 °F)
Working Humidity	10 % ~ 90 %
Chassis	1.5U
Dimensions	440mmx347mmx70mm
Weight	3KG (without HDD), 3.5KG (with Packing Box)

* The latest product information / specification can be found at <http://en.tiandy.com/>



16CH 2HDD NVR TC-NR4016M7-S2 4839186

OFFERTA VALIDA
FINO AL 31 MAGGIO 2018

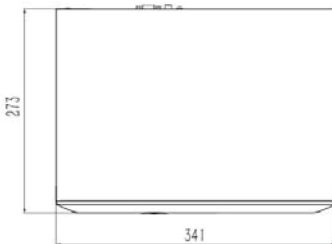
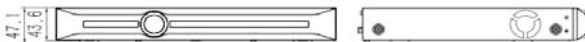
PREZZO NETTO €115,40



Features

- Support 6MP Recording
- HDMI, VGA Output Up to 1920X1080 Resolution
- Support 16-ch Intelligent Analysis Process
- Smart Search&Recording, Plug&Play
- Support ANR Function
- Support N+M Hot Standby Function
- 2 SATA(Up to 16TB), Alarm I/O 1/0, Audio I/O 1/1, 2xUSB, 1xRJ45(1000M)
- CE, FCC

Dimensions



Video/Audio Input	
Incoming Bandwidth	128Mbps
IP Video	16-ch
Audio	1-ch, BNC(2.0 Vp-p, 1kΩ)
Video/Audio Output	
Outgoing Bandwidth	64Mbps
CVBS	N/A
HDMI	1-ch Resolution: 1920×1080
VGA	1ch Resolution: 1920×1080 Adjustable Output Mode, Self-adaptive Resolution
Frame Rate	Mainstream: 25fps(P)/30fps(N) Substream: 25fps(P)/30fps(N)
I-Frame Record	Y
Recording Resolution	6MP(2752*2208,3008*2008,2408*2008)/5MP(2448*2048,2560*1920,2592*1944,2592*1920,2528*2128)/4MP(2560*1440,2592*1520)/3MP(2048*1536)/1080P/UXGA/720P/GA4CIF/DCIF/2CIF/CIF/QCIF
Audio	1xRCA
Synchronous Playback	4-ch 1080P/8-ch 720P/16-ch 4CIF
Decoding	
Video Compression	S+265/ H.265/ S+264/ H.264 H/ H.264 M/ H.264 B
Live View/Playback	6MP(2752*2208,3008*2008,2408*2008)/5MP(2448*2048,2560*1920,2592*1944,2592*1920,2528*2128)/4MP(2560*1440,2592*1520)/3MP(2048*1536)/1080P/UXGA/720P/GA4CIF/DCIF/2CIF/CIF/QCIF
Capability	1-ch 6MP/5MP/4MP/4-ch 3MP/1080P/8-ch 720P/16-ch 4CIF
Display Split	1/4/6/8/9/16
E-Zoom	Y
Network	
Remote Connection	32 Users, Up to 48ch Videos
Browser	CHROME V45 or lower, IE, FIREFOX
Mobile Software	P2P/DDNS/IP for IOS&Android (App name: EasyLive)
Internet Protocol	TCP/UDP/HTTP/MULTICAST/UPnP/DHCP/PPPoE /DDNS/NFS/FTP/NTP/HTTPS/RTSP/SMTP/SADP/SNMP/TCP-IP/IPFILTER/ALARMSEVER/IP SEARCH
Email	Activated by Alarm
ANR	Y
Hard Disk	
SATA	2 SATA for 2 HDDs
Capacity	Up to 8TB Capacity for Each HDD, SEAGATE recommended
NTFS File System	Y
HDD Management	Group and Quota
External Interface	
Two-way Audio	1-ch, BNC(2.0 Vp-p, 1kΩ)
Audio Output	1xRCA
HDMI	1
VGA	1
Network Interface	1 RJ-45 100/1000Mbps Self-adaptive Ethernet Interfaces
Serial Interface	N/A
USB Interface	2 x USB2.0
Alarm I/O	1/0
Advance	
NAS	NFS Protocol, Support Manual Backup Only
Plug and Play	Y, Only for Tiandy Cameras
Hot Standby	N+1
Corridor Mode	Y, 16:9 to 9:16, Only for Tiandy Cameras
Video Analytics(VCA)	16-ch Tiandy Camera VCA Process (Tripwire and Perimeter)
Smart Search	Quickly Search Target VCA Videos , Only for Tiandy Cameras
Trigger Recording	Manual/Timing/Motion Detection/Port Alarm/ VCA Alarm/Video Mask
Smart Recording	Set Recording Bit Rate for Different Time
Alarm Recording	Pre Alarm Default 10s (5/10/15/60s Optional) , Post Alarm Default 10s (10/15/30/60/600s Optional)
Onvif	Onvif(Profile S)
General	
Language	English, Spanish, Korean, Italian,Turkish,Thai, Russian,Simplified Chinese, Traditional Chinese, French, Polish
Power Supply	DC12V/3A
Consumption(without HDD)	≤10W
Working Temperature	-10 °C ~ +55 °C (+14 °F~ + 131 °F)
Working Humidity	10 % ~ 90 %
Chassis	1U
Dimensions	43.6mm×341mm×274mm
Weight	1.6KG (without HDD), 2.8KG (with Packing Box)
ANR:	Auto store video in SD card when NVR disconnected, and upload video to NVR when resumed connection(Only Support Tiandy ANR NVR)
Smart Search:	Greatly improve search speed for recorded video via VCA function

* The latest product information / specification can be found at <http://en.tiandy.com/>



Lined writing area with 18 horizontal lines.

Tiandy SICE



TIANDY BY SICE & C. SPA
Via Amerigo Vespucci, 2/4/6
20068 - Peschiera Borromeo
Milano (ITALIA)
Tel: +39.02.45485312-3-4
Fax: +39.02.45485315
Email: info@tiandy.net

WWW.TIANDY.NET